

”

3

VARIANTS

ENTRY
PLUS
PREMIUM

CAMELEON ▶

✉ INFO@CELETTE.COM | 🌐 WWW.CELETTE.COM



CAMELEON

Universal Jig is a system which has modularity in all the three XYZ axis which allows to setup Jigs accurately with standard tools provided by manufacturers.

The Celette universal jig system called the Cameleon is a set of customizable tools that enables the user to build highly accurate jig for any vehicle. The universal jig system works with a web based user-friendly software that determines the layout of each car based on the 3D database acquired from the respective automotive OEMs globally. The universal jig system has modularity of 1 mm on each X, Y & Z axis which enables to control the length, width & height of the different points in the car during the repair process.

WHY CAMELEON IS THE BEST UNIVERSAL JIG SYSTEM?

Cameleon universal jig system offers a complete and accurate structural repair solution for all the existing and upcoming vehicles without the need for additional tools. Online 3D software of Cameleon universal jig system ensures UP-TO-DATE largest world vehicle database. No compromise in the accuracy level of repair by Celette adaptable jig. Intuitive assembly layout facilitates quick construction of Cameleon universal jig. Complete universal jig solution for measuring/diagnosis, anchoring, re-construction and repair with a unique technique for all the vehicles in the segment. Universal jig setup can be customized online with 3D interaction interface to response your repair environment. Diagnostic, Pre and Post report can be created and sent to insurance companies or customers using Celette universal jig system.

VARIANTS

ENTRY | PLUS | PREMIUM



CAMELEON

CUSTOMIZABLE FIXTURE SOLUTION - UNIVERSAL | ADJUSTABLE

REF NO: CAM01.102 | CAM02.142 | CAM02.162

A New concept for structural repair and measurement of damaged vehicles. Cameleon offers a complete and accurate structural repair solution for all the existing and future vehicles without the need for additional tools. **US 11,373,456 B2**



- ⊗ Online 3D software ensures up-to-date vehicle database all the time
- ⊗ Intuitive assembly layout facilitates quick construction of Cameleon fixtures
- ⊗ No compromise in the accuracy level of repair
- ⊗ Complete solution for measuring/diagnosis, anchoring, re-construction and repair with a unique technique for all the vehicles in the segment
- ⊗ Facilitates the use of existing Celette benches, cross members, MZ towers and MZ+ pistons
- ⊗ User-friendly software interface enables faster learning by body technicians
- ⊗ Twice as efficient in terms of productivity compared to electronic measuring systems and so-called universal jig systems

CAMELEON

CUSTOMIZABLE FIXTURE SOLUTION - UNIVERSAL | ADJUSTABLE

REF NO: CAM01.102 | CAM02.142 | CAM02.162



US 11,373,456 B2

BUILD YOUR OWN **JIGS** WITH
OEM 3D CAD COORDINATES - CELETTE CERTIFIED
REPAIR WITH CAMELEON

CAM02.162

PREMIUM

16 - FIXTURES



CAM02.142

PLUS

14 - FIXTURES



CAM01.102

ENTRY

10 - FIXTURES



RECOMMENDED FOR LIGHT REPAIR



RECOMMENDED FOR MEDIUM REPAIR



RECOMMENDED FOR MAJOR REPAIR

CAMELEON

CUSTOMIZABLE FIXTURE SOLUTION - UNIVERSAL | ADJUSTABLE

REF NO: CAM01.102 | CAM02.142 | CAM02.162



US 11,373,456 B2

USER INTERFACE - ISOMETRIC [3D] VIEW



3D SOFTWARE IS COMPATIBLE WITH iOS & ANDROID TOUCH-PAD

PREMIUM / PLUS



3D SOFTWARE IS COMPATIBLE WITH iOS & ANDROID TOUCH-PAD

CAMELEON

CUSTOMIZABLE FIXTURE SOLUTION - UNIVERSAL | ADJUSTABLE

REF NO: CAM01.102 | CAM02.142 | CAM02.162



US 11,373,456 B2



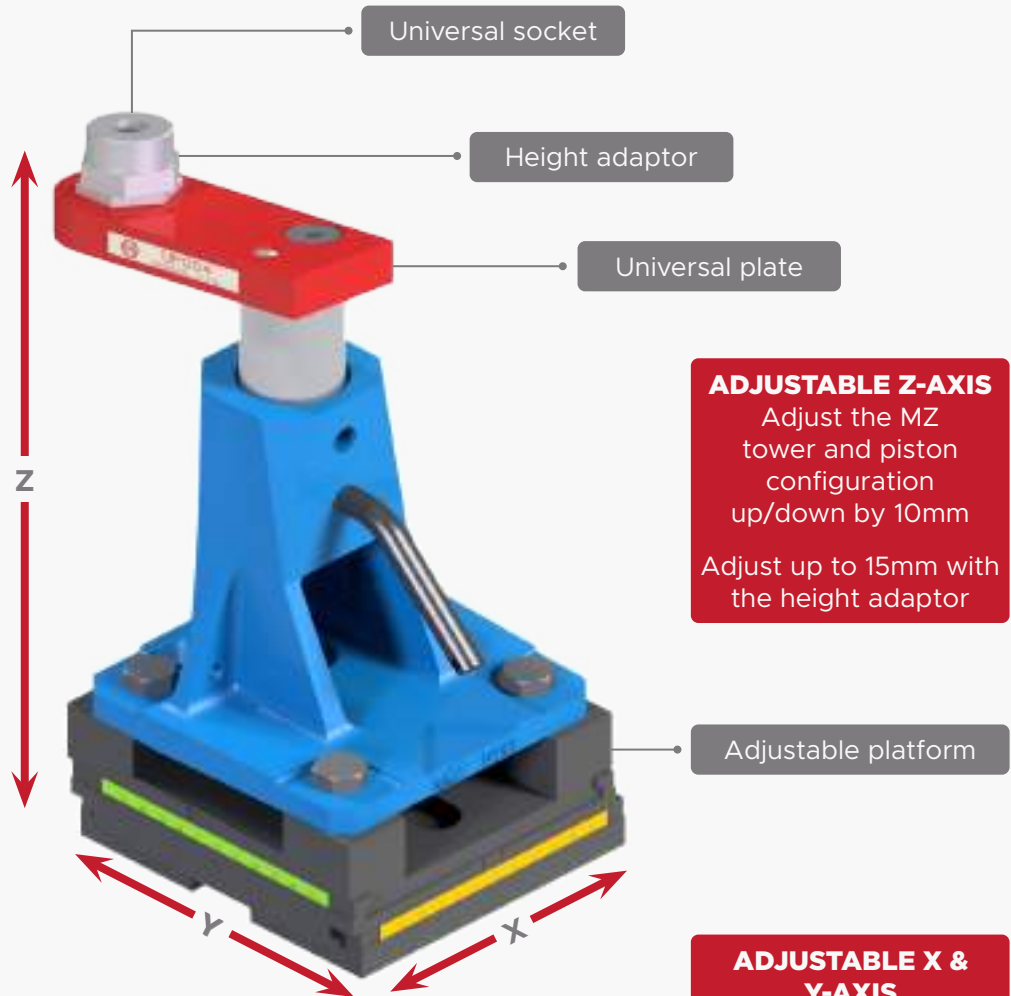
DIAGNOSTIC



SCREW FIXING

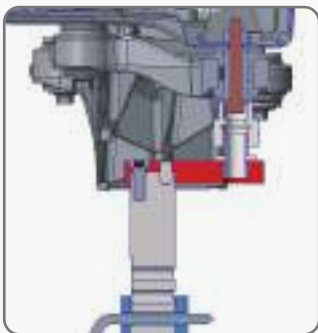


PILOT HOLE

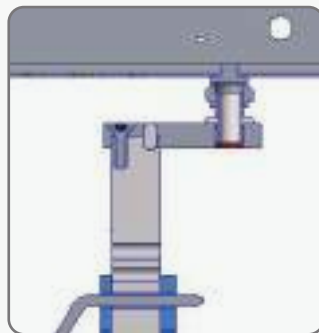


ADJUSTABLE Z-AXIS
 Adjust the MZ tower and piston configuration up/down by 10mm
 Adjust up to 15mm with the height adaptor

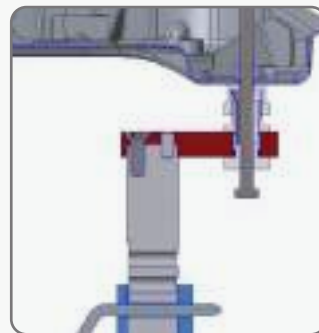
ADJUSTABLE X & Y-AXIS
 (0 to 100mm)



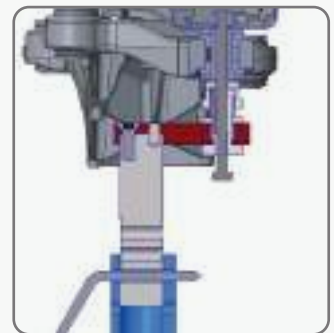
With suspension parts - diagnosis



Pilot hole checking



Without suspension parts



With suspension parts - anchoring

CAMELEON

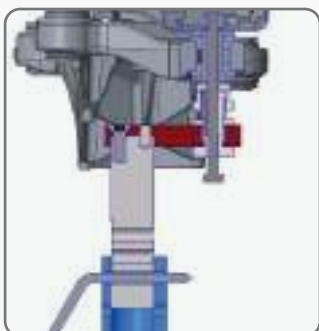
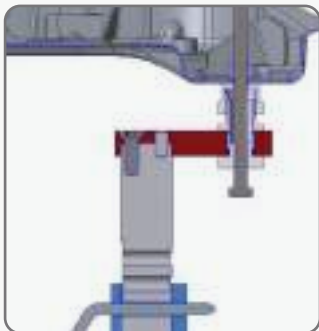
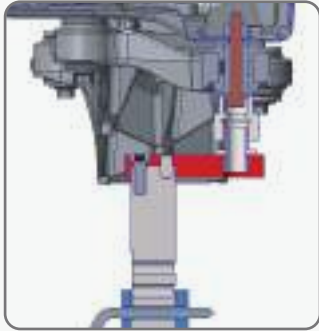
CUSTOMIZABLE FIXTURE SOLUTION - UNIVERSAL | ADJUSTABLE

REF NO: CAM01.102 | CAM02.142 | CAM02.162



US 11,373,456 B2

DIAGNOSTIC | POSITIONING | ANCHORING
ALL YOU NEED TO PERFORM AN OEM CERTIFIED REPAIR PROCESS



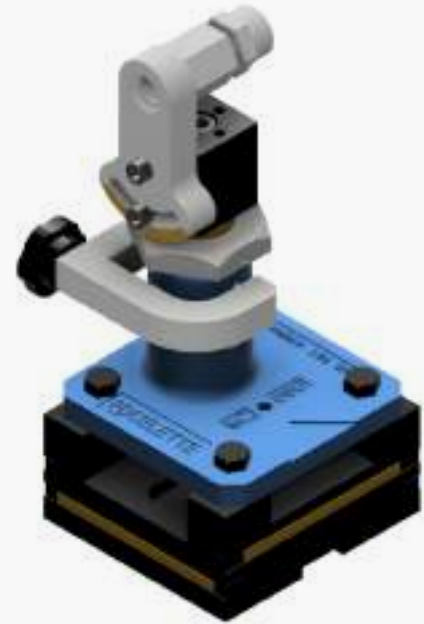
CAMELEON

CUSTOMIZABLE FIXTURE SOLUTION - UNIVERSAL | ADJUSTABLE

REF NO: CAM01.102 | CAM02.142 | CAM02.162



US 11,373,456 B2



ADDITIONAL HOLDING DEVICE
STANDARD SCOPE OF SUPPLY WITH
ALL VARIANTS OF CAMELEON

**WANT TO
UPGRADE?**

PREMIUM / PLUS



CAMELEON ENTRY

CAM02.066 | ADD-ON KIT
CAMELEON PREMIUM

CAM02.042 | ADD-ON KIT
CAMELEON PLUS



ALL THE COMPONENTS ARE
ERGONOMICALLY PLACED INSIDE THE
TROLLEY FOR MANEUVERABILITY

CAMELEON

CUSTOMIZABLE FIXTURE SOLUTION - UNIVERSAL | ADJUSTABLE

REF NO: CAM01.102 | CAM02.142 | CAM02.162

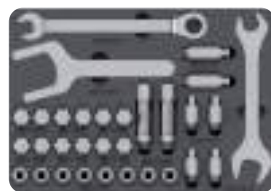
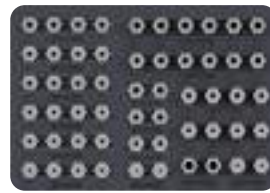
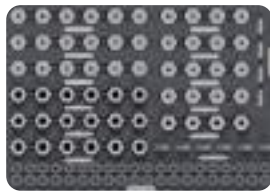


US 11,373,456 B2

CAMELEON

PREMIUM

CAM02.162



CAMELEON

CUSTOMIZABLE FIXTURE SOLUTION - UNIVERSAL | ADJUSTABLE

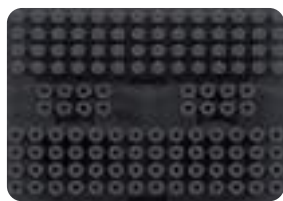
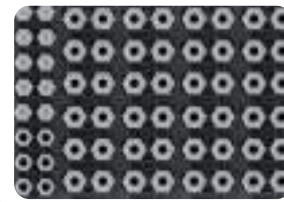
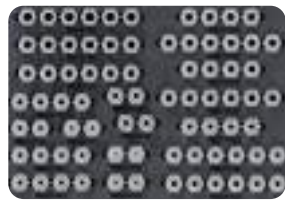
REF NO: CAM01.102 | CAM02.142 | CAM02.162



US 11,373,456 B2

CAMELEON PLUS

CAM02.142



CAMELEON

CUSTOMIZABLE FIXTURE SOLUTION - UNIVERSAL | ADJUSTABLE

REF NO: CAM01.102 | CAM02.142 | CAM02.162



US 11,373,456 B2

CAMELEON

ENTRY

CAM01.102



ONLY WITH PLUS & PREMIUM VARIANTS



CAMELEON

CUSTOMIZABLE FIXTURE SOLUTION - UNIVERSAL | ADJUSTABLE

REF NO: CAM01.102 | CAM02.142 | CAM02.162



US 11,373,456 B2

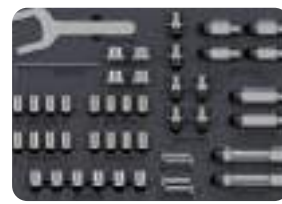
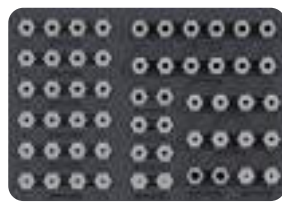
CAMELEON

ADD-ON KIT

CAM02.042



CAM02.066



UPGRADE TO PLUS VARIANT REF NO: CAM02.042

UPGRADE TO PREMIUM VARIANT REF NO: CAM02.066

CAMELEON

CUSTOMIZABLE FIXTURE SOLUTION - UNIVERSAL | ADJUSTABLE

REF NO: CAM01.102 | CAM02.142 | CAM02.162



US 11,373,456 B2

CAMELEON

ADD-ON KIT



**ADD-ON KIT FOR
MERCEDES-BENZ - CAM01.KIT01**



**ADD-ON KIT FOR
BMW & JLR - CAM01.KIT02**

CAMELEON

CUSTOMIZABLE FIXTURE SOLUTION - UNIVERSAL | ADJUSTABLE

REF NO: CAM01.102 | CAM02.142 | CAM02.162

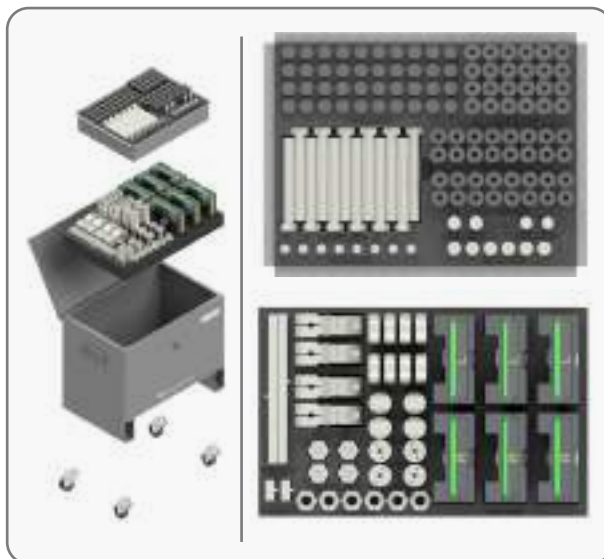


US 11,373,456 B2

CAMELEON ADD-ON KIT



**ADD-ON KIT FOR
TESLA - CAM01.KIT03**



**ADDITIONAL CAMELEON KIT
CAM01.KIT04**

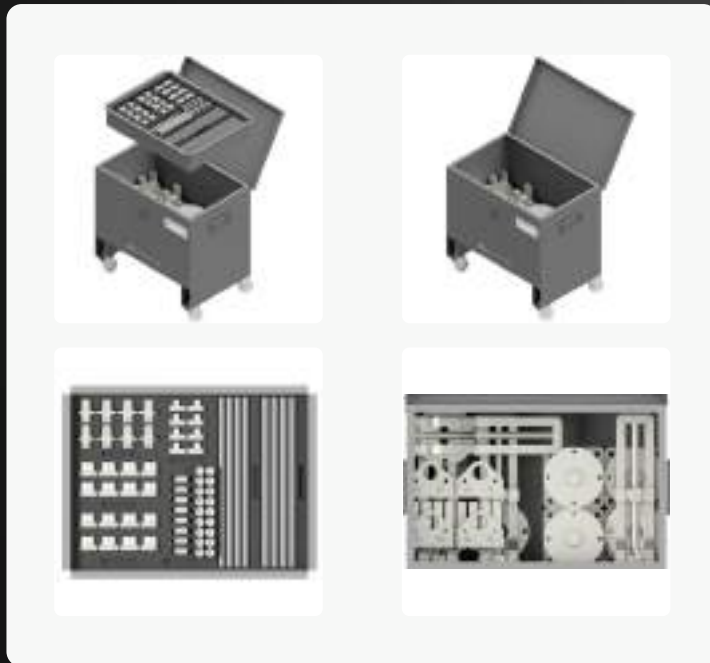
CAMELEON CHASSIS

ADD-ON KIT CAMELEON CHASSIS

REF NO: CAM03.246



- ⊕ Cameleon chassis is ideal for repairing light truck vehicle ladder frame.
- ⊕ It anchors the chassis firmly while making pulling & repair operation.
- ⊕ The adaptable Cameleon chassis is suitable for holding all the critical fixation in the ladder frame.
- ⊕ It also works as a holding device during replacement of new components.



CAMELEON

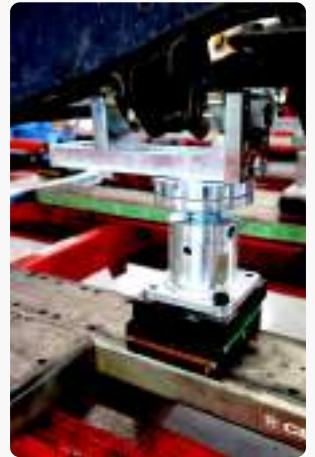
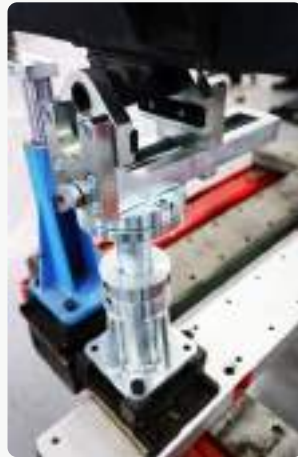
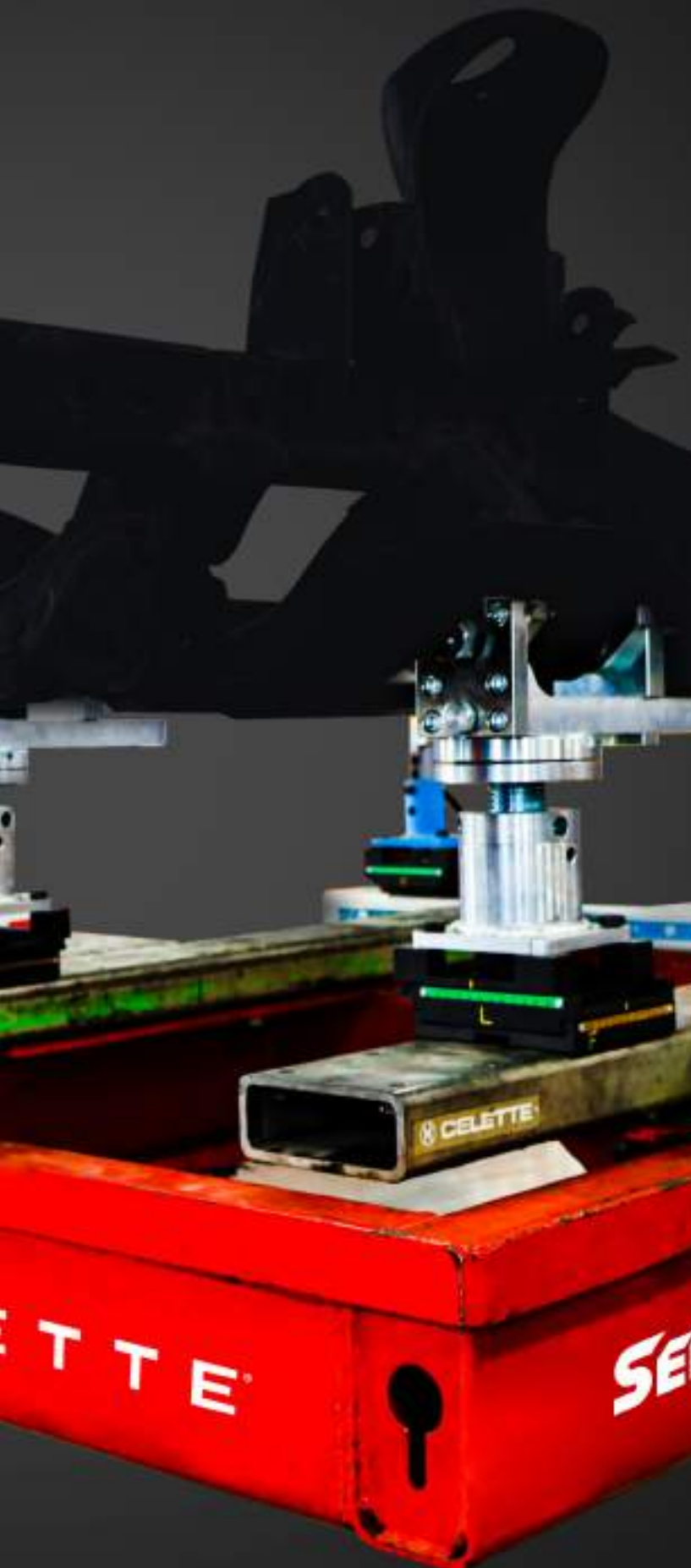
CHASSIS



CAMELEON



US 11,373,456 B2



TTE

SEVENNE



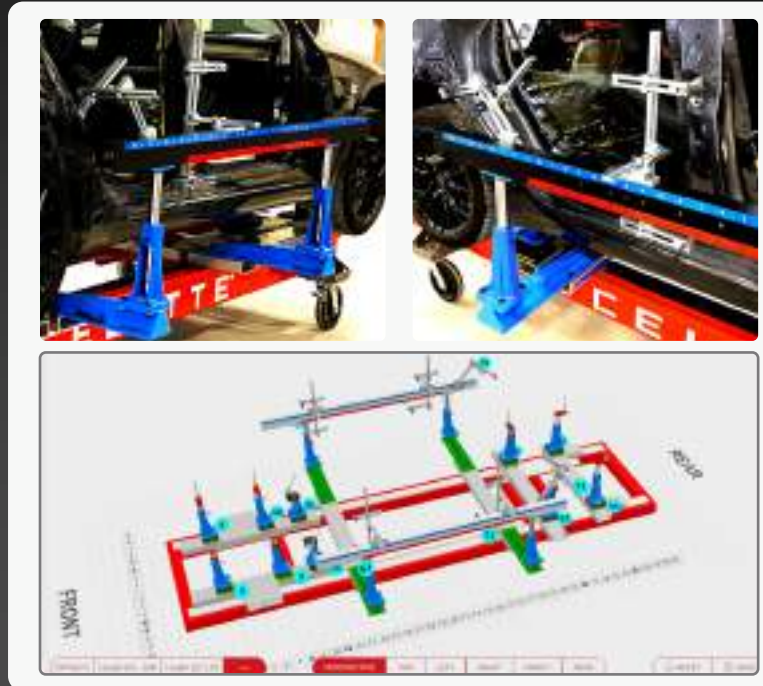
CAMELEON UPPER BODY JIG

CAMELEON UPPER BODY FIXTURE SET

REF NO: CAM04.032



US 11,373,456 B2



- ⊕ Cameleon upper body jigs are unique combination of adaptable fixtures which offers high level of accuracy as celette dedicated jigs.
- ⊕ It is a real universal set which can be used for all kind of vehicle upper body jig repair.
- ⊕ The online software designs the fixture set instantly from the OEM data.





CELETTE FRANCE S.A.S
3, AVENUE MARCELLIN BERTHELOT 38200
VIENNE / FRANCE
☎ +33 474 575 959



CELETTE DEUTSCHLAND GMBH
EUGEN-ENSSLIN-STR.3 77694 KEHL
GERMANY
☎ +49 785 195 58 712



CELETTE NORTH AMERICA
700/122 VALLEY RIDGE BLVD.LEWISVILLE,
TX 75057 / USA
☎ +1 254 382 8698



CELETTE INDIA PVT LTD.
2/122 B-1, MYLAMPATTY ROAD,
KARAYAMPALAYAM,
COIMBATORE 641062 / INDIA
☎ +91 88 70 86 11 11



**CELETTE AUTO EQUIPMENT
AND REPARATION**
ROOM 3, 11F, XING HUI BUILDING,
NO 176, MIN YANG ROAD,
JIAXING, 31400 ZHEJIANG PROVINCE / CHINA
☎ +86 158 8831 7667



CELETTE JAPAN TECHNICAL OFFICE
667-9 MABASHI, SHISUI-MACHI, INBA-GUN,
CHIBA 285-0914 / JAPAN
☎ +81 70 2183 1960



CELETTE ASIA PACIFIC
700/941 M.5 AMATA CITY
CHONBURI INDUSTRIAL ESTATE,
NONGKAKHA, PHANTHONG 20160
CHONBURI / THAILAND
☎ +66 905 630 258

✉ INFO@CELETTE.COM |  WWW.CELETTE.COM

